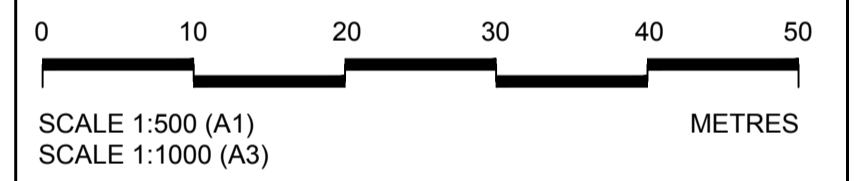
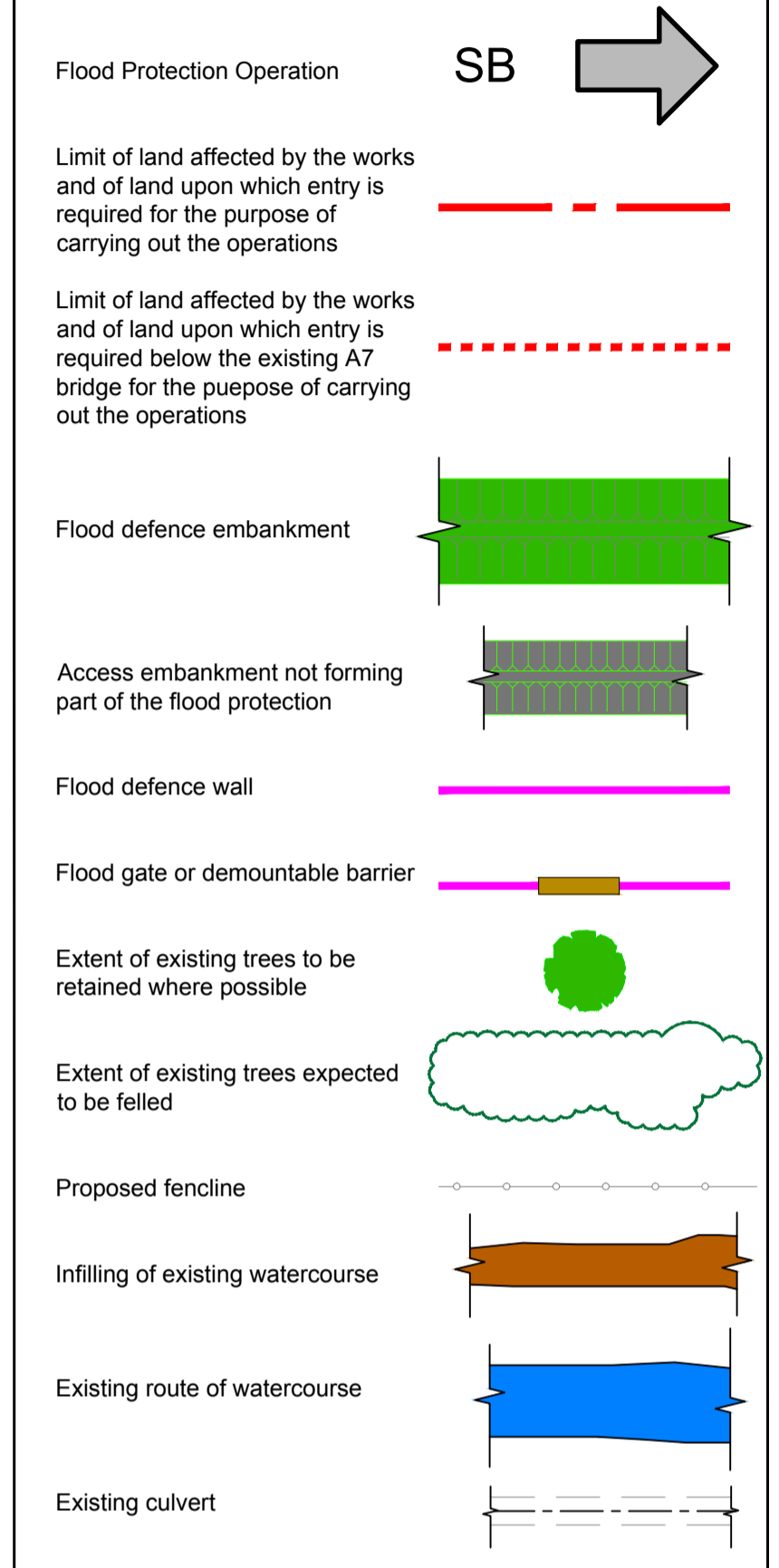


Ettrick Water (Riverside)				
Scheme Operation Ref	Start Chainage	End Chainage	Description	Maximum height above existing ground
SB 01	E1-00m	E1-33m	Proposed bank stabilisation works	N/A
SB 02	E1-53m	E1-208m	Proposed flood defence wall	0.95m at chainage E1-200m
SB 03	E1-205m	E1-205m	Proposed concrete inlet structure with screens	N/A
SB 04	E2-0m	E2-173m	Proposed precast concrete culvert	N/A
SB 05	E2-173m	E2-173m	Proposed concrete outlet structure with screens	N/A
SB 06	E2-173m	E2-173m	Proposed outlet channel and infilling of existing	N/A

- Notes:**
- Operations are fully described in Section 4 of the Flood Protection Scheme Operations document.
 - Supplementary Information is included in the Environmental Statement, Planning Statement and Preferred Scheme Report which accompany these drawings.
 - These plans are provided in accordance with the requirements of the Flood Risk Management (Scotland) Act 2009 Section 60 and Schedule 2.
 - Replanting at a rate of two trees for each tree felled (with DBH greater than 100mm) included where described in the Schedule of Operations.
 - All outfalls and pipes which discharge to the watercourses shall require to be surveyed in advance of construction. Where a flood risk exists as a result of backing up of flood waters through these outfalls and pipes, flap valves and outfall structures shall be fitted to those outfalls and pipes.



Rev	By	Chkd	Appvd	Date	Description

Client
Scottish Borders Council

Halcrow Group Limited
 City Park, 368 Alexandra Parade, Glasgow G31 3AU
 Tel +44(0)141 552 2000 Fax +44(0)141 552 2525
 Glasgow@halcrow.com
 www.halcrow.com

Project
SELKIRK FLOOD PROTECTION SCHEME

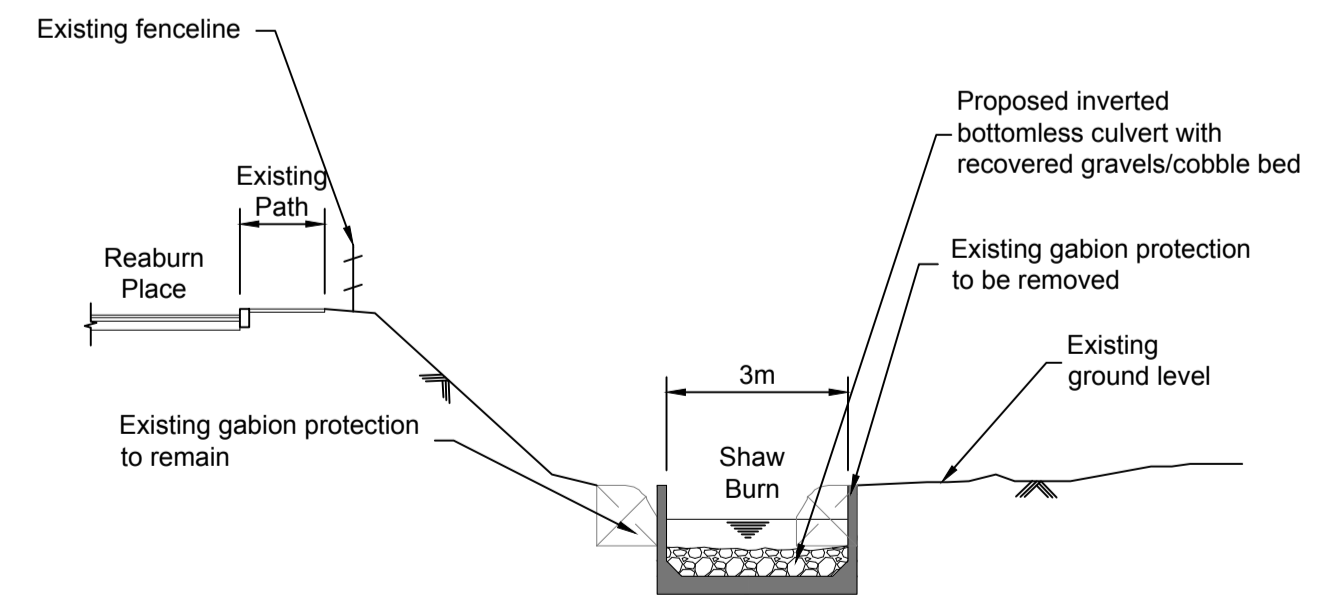
Drawing
FLOOD PROTECTION OPERATIONS SHAW BURN

Drawn by: Gordon D McLean Date: 30/09/11
 Checked by: EF Date: 30/09/11
 Approved by: SV Date: 30/09/11

Drawing No.	Revision
WN/SFPD/SB/001	/

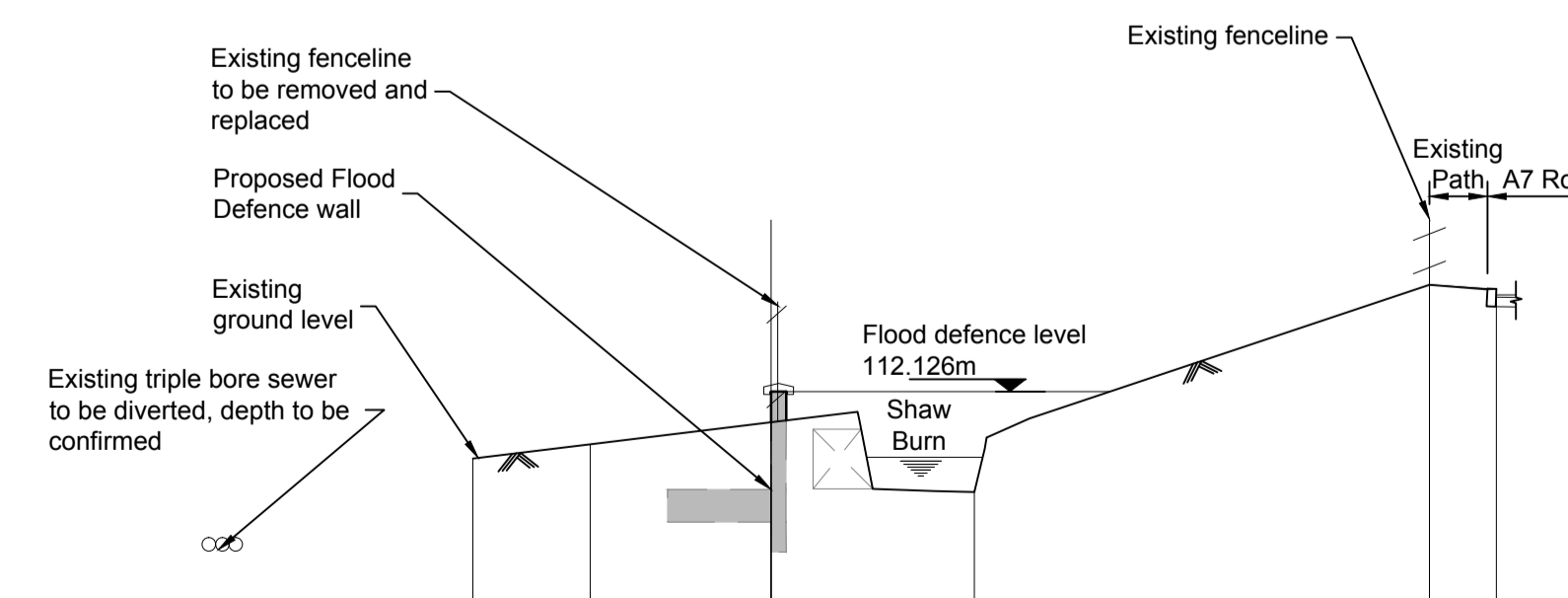
Drawing Scale: 1:500 at A1

PLAN OF FLOOD PROTECTION OPERATIONS ON SHAW BURN
 SCALE 1 : 500



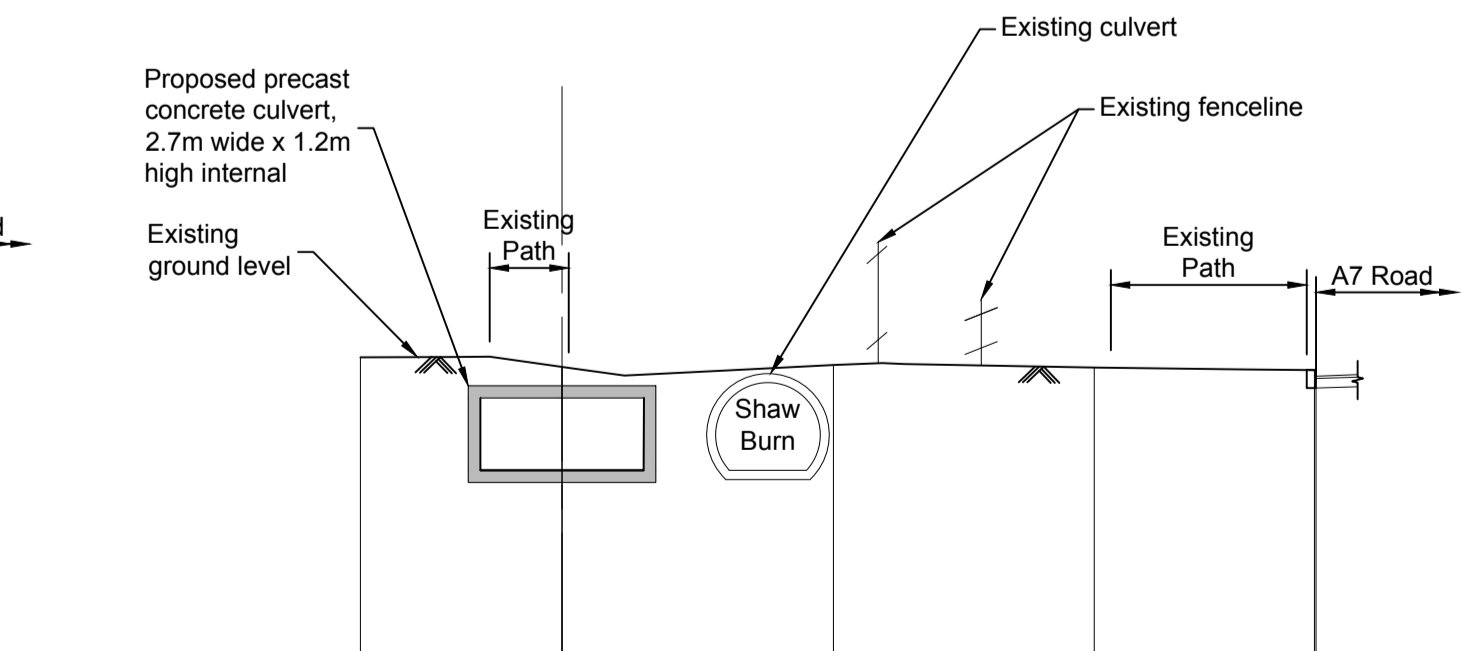
EXISTING LEVELS		
OFFSET (m)		

SECTION 1-SB



EXISTING LEVELS	111.003	111.240	111.610	110.445	113.975	113.846
OFFSET (m)	-5.000	-3.035	0.000	3.407	11.036	12.159

SECTION 2-SB



EXISTING LEVELS	110.521	110.365	110.395	110.351	110.414	110.312
OFFSET (m)	-3.334	0.000	4.484	8.796	12.483	12.483

SECTION 3-SB

This map is reproduced from Ordnance Survey material by Halcrow on behalf of Scottish Borders Council with the permission of the Controller of Her Majesty's Stationary Office. © Crown copyright. Unauthorised reproduction infringes Crown copyright and may lead to prosecution or civil proceedings. Licence Number: 100023423

Drawing file path & name: W:\Water Res UK\Selkirk\Drawings\Output\Stage 5 - FPF\SB\001_Drainage\04\wg\Stage 5 - FPF\SB\001 - Shaw Burn Defences.dwg
 User and Print Date: 22/12/2011 - 12:12 pm